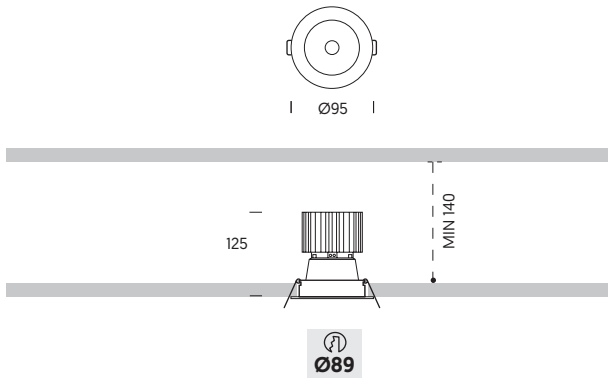


530 RECESSEDS



	W	mA	TEMP	LUM	CRI
12W	11.8	350	2.700K	1.675	>82
			3.000K	1.870	>85
			4.000K	1.940	>85
18W	17.3	500	2.700K	2.455	>82
			3.000K	2.640	>85
			4.000K	2.730	>85
25W	25	700	2.700K	3.260	>82
			3.000K	3.505	>85
			4.000K	3.625	>85

TEC.DRAWINGS



LED	230V	IP54 EXT	IP2 0 INT	50.000h L90/B10	McAdam C2
≈ 12W > 1700lm	530X	A	10	• • • • •	••
≈ 18W > 2300lm	530X	A	20	• • • • •	••
≈ 25W > 3300lm	530X	A	30	• • • • •	••

BASIC OPTIONS

NO DIM	N	No Dimmable							
3K	3	3000K							
3	3	30° - 40°							
B	B	Clear Difusser							
WS	WS	Satin White	530X	A	••	N	3	3	B WS
BS	BS	Satin Black	530X	A	••	N	3	3	B BS

CUSTOMIZE OPTIONS

LED CONTROL									
PUSH	F	Dimmable Push	530X	A	••	F	•	•	••
DALI	D	Dimmable Dali	530X	A	••	D	•	•	••
LED COLOR TEMPERATURE									
2.7K	2	2700K	530X	A	••	•	2	•	••
4K	4	4000K	530X	A	••	•	4	•	••
LED BEAM ANGLE									
2	2	20° - 30°	530X	A	••	•	•	2	••
6	6	>60°	530X	A	••	•	•	6	••
LED COMPLEMENTS									
A	A	Ice Difusser	530X	A	••	•	•	A	••
C	C	Prismatic Difusser	530X	A	••	•	•	C	••

Wifi or Bluetooth version and other colors, please consult it.