

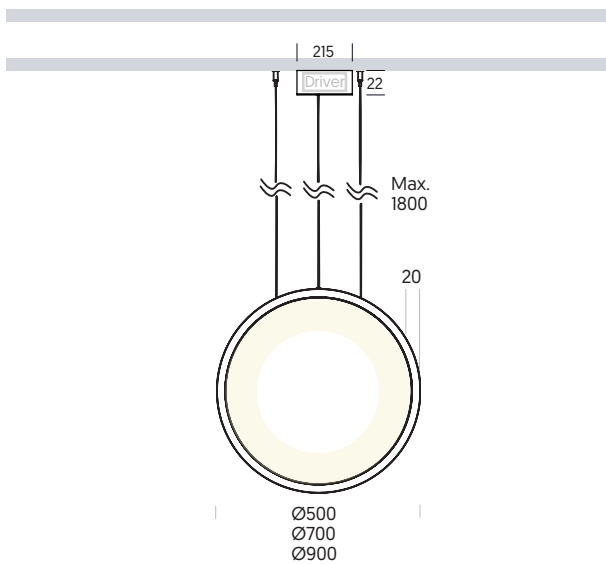
HOOP VERTICAL INTERIOR SURFACE & SEMIRECESSED



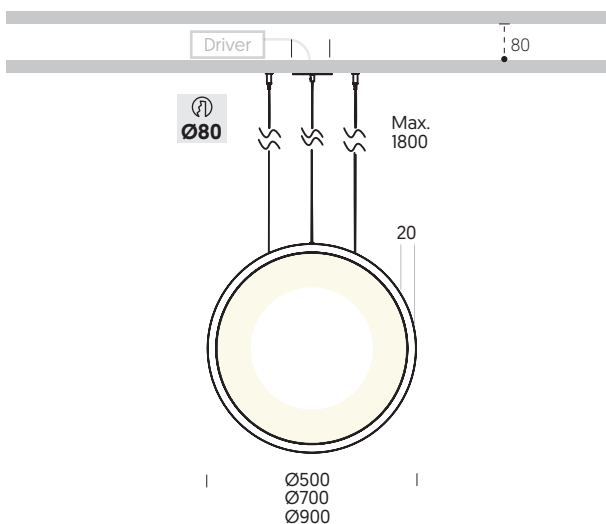
	W	Ø	V	TEMP	LUM	CRI
HOOP 50	18	500		2.700K	2.160	
				3.000K	2.250	
HOOP 70	26	700	24V	2.700K	3.168	>90
				3.000K	3.300	
HOOP 90	35	900		2.700K	4.032	
				3.000K	4.200	



SURFACE



RECESSED



LED 230V IP20

HOOP V. Recessed	≈ 18W	> 2160lm	HPIH A 50	• • 9 R ••
HOOP V. Recessed	≈ 26W	> 3168lm	HPIH A 70	• • 9 R ••
HOOP V. Recessed	≈ 35W	> 4032lm	HPIH A 90	• • 9 R ••
HOOP V. Surface	≈ 18W	> 2160lm	HPIH A 50 N	• 9 S ••
HOOP V. Surface	≈ 26W	> 3168lm	HPIH A 70 N	• 9 S ••
HOOP V. Surface	≈ 35 W	> 4032lm	HPIH A 90 N	• 9 S ••

BASIC OPTIONS

NO DIM	N	No Dimmable	
3K	3	3000K	
9	9	120°	
S	S	Surface	
BS	BS	Satin Black/White	HPIH A •• N 3 9 S BS

CUSTOMIZE OPTIONS

LED CONTROL			
DALI	D	Dimmable Push	HPV A •• D • 9 R ••
LED COLOR TEMPERATURE			
2.7K	2	2700K	HPV A •• • 2 9 • ••
TIPO DE INSTALACIÓN			
R	R	Recessed	HPV A •• • A 9 R ••

Wifi or Bluetooth version and other colors, please consult it.