

**NiCd Accus 4.5 Ah**

Nickel-Cadmium cells (NiCd)



Fig. 1: Stick; Connection: blade terminal



Fig. 2: Stick + Stick; Connection: blade terminal



Fig. 3: Side by side; Connection: blade terminal

**Product description**

- \_ High-temperature NiCd cells for use with emergency lighting unit
- \_ 4-year design life
- \_ 1-year guarantee

**Properties**

- \_ Constant high-temperature operation – depending on the emergency lighting unit used (refer to respective emergency control gear data sheet)
- \_ Good charging properties at high temperature
- \_ High energy maintenance of the charged battery
- \_ Certified quality manufacturer
- \_ In various configurations
- \_ Simple connection with blade terminal respectively plug terminal
- \_ With polycarbonate fixing caps and connecting cable
- \_ Electrical connection with mounted end caps possible
- \_ Suitable for emergency lighting equipment as per IEC 60598-2-22

**Website**

<http://www.tridonic.com/89800092>



**NiCd Accus 4.5 Ah**

Nickel-Cadmium cells (NiCd)

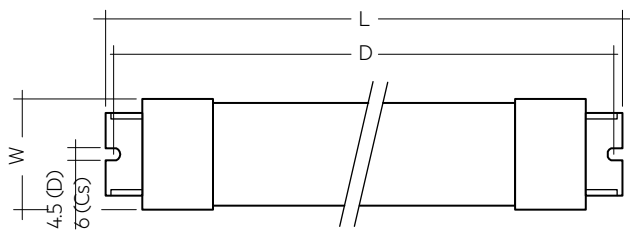


Fig. 1: Stick; Connection: blade terminal

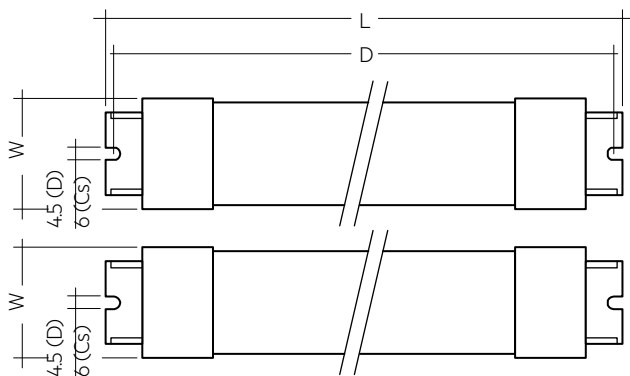


Fig. 2: Stick + Stick; Connection: blade terminal

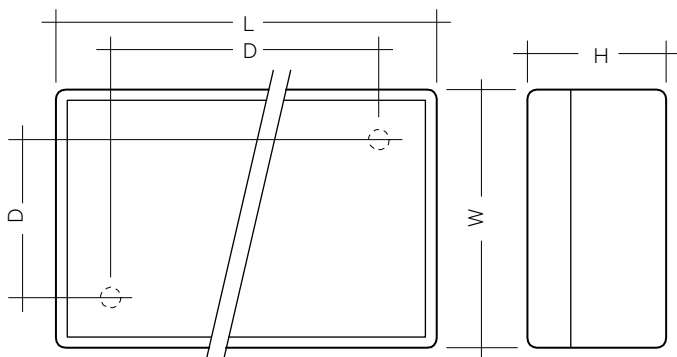


Fig. 3: Side by side; Connection: blade terminal

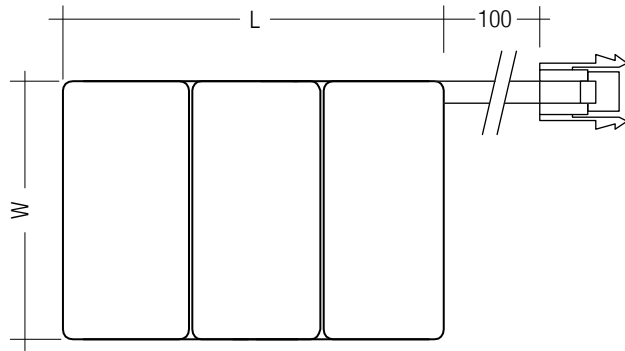


Fig. 4: Side by side; Connection: plug terminal

**Ordering data**

Type	Article number	Capacity	Packaging, carton	Packaging, outer box	Weight per pc.
<b>NiCd D cells – stick</b>					
Accu-NiCd 2A 55	89800092	4.5 Ah	5 pc(s).	25 pc(s).	0.255 kg
Accu-NiCd 3A 55	28002773	4.5 Ah	5 pc(s).	25 pc(s).	0.424 kg
Accu-NiCd 4A 55	89800089	4.5 Ah	5 pc(s).	25 pc(s).	0.500 kg
Accu-NiCd 5A 55	28002774	4.5 Ah	5 pc(s).	25 pc(s).	0.680 kg
<b>NiCd D cells – stick + stick</b>					
Accu-NiCd 4C 55	28002775	4.5 Ah	5 pc(s).	25 pc(s).	0.530 kg
Accu-NiCd 5C 55	89800090	4.5 Ah	5 pc(s).	25 pc(s).	0.700 kg
Accu-NiCd 6C 55	89800388	4.5 Ah	5 pc(s).	25 pc(s).	0.756 kg
<b>NiCd D cells – side by side</b>					
Accu-NiCd 3B 55	89800384	4.5 Ah	5 pc(s).	25 pc(s).	0.380 kg
Accu-NiCd 4B 55	89800385	4.5 Ah	5 pc(s).	25 pc(s).	0.588 kg

**Technical data**

Battery voltage per cell	1.2 V
Min. battery casing temp. (design life of 4 years)	+ 5 °C
Max. battery casing temp. (design life of 4 years)	Refer to emergency control gear datasheet

**Approval marks**



**Standards**

Acc. to EN 60598-2-22

**Specific technical data**

Type	Article number	Figure	Number of cells	Capacit y	Length L	Hole spacing D	Width B	Height H
<b>NiCd D cells – stick</b>								
Accu-NiCd 2A 55	89800092	1	2	4.5 Ah	152 mm	140 mm	36 mm	35 mm
Accu-NiCd 3A 55	28002773	1	3	4.5 Ah	210 mm	198 mm	36 mm	35 mm
Accu-NiCd 4A 55	89800089	1	4	4.5 Ah	269 mm	257 mm	36 mm	35 mm
Accu-NiCd 5A 55	28002774	1	5	4.5 Ah	328 mm	316 mm	36 mm	35 mm
<b>NiCd D cells – stick + stick</b>								
Accu-NiCd 4C 55	28002775	2	4	4.5 Ah	152 mm	140 mm	36 mm	35 mm
Accu-NiCd 5C 55	89800090	2	5	4.5 Ah	152 + 210 mm	140 + 198 mm	36 mm	35 mm
Accu-NiCd 6C 55	89800388	2	6	4.5 Ah	210 mm	198 mm	36 mm	35 mm
<b>NiCd D cells – side by side</b>								
Accu-NiCd 3B 55	89800384	4	3	4.5 Ah	98 mm	32 x 40 mm	63 mm	35 mm
Accu-NiCd 4B 55	89800385	4	4	4.5 Ah	131 mm	64 x 40 mm	63 mm	35 mm

### Standards

The battery cells are designed to comply with the IEC international standard and tested according to the normative permanent charge endurance test described in the IEC 61951-2 standard. This performance is mandatory for use in Emergency Lighting Units to comply with the IEC 60598 2.22.

### Technical data Accu

Rated minimum capacity	1.6Ah / 4.2Ah / 4.5Ah
Typical weight per cell	45 g / 124 g / 124 g
Cell dimensions:	
• Diameter	22.5 mm / 32.5 mm / 32.5 mm
• Height	42.5 mm / 60.5 mm / 60.5 mm

Consult individual emergency module data sheet for maximum allowable temperatures.

### Technical data End caps

Glow-wire test according to EN 61347-1 with increased temperature of 960 °C passed.

### Storage

- Store batteries within the specified temperature range in low humidity conditions. Optimal storage conditions are:
  - temperature: +5 ... +25 °C
  - humidity: 65 % ±5 %
- Avoid atmosphere with corrosive gas
- Disconnect batteries before store or delivery
- Avoid storage of discharged batteries
- A long term storage in open circuit leads to battery self discharge and deactivation of chemical components. It could be required to charge and discharge the batteries a few times to recover the initial performance.

### Safety

- Do not short-circuit the battery pack – when installing the luminaire make sure sharp edges do not come into contact with cables.
- Do not open or damage the battery pack or throw it into a fire.
- Protect the battery against moisture and keep away from water.
- Do not expose the battery to direct sunlight or excessive heat (see storage conditions).
- Transport and store the battery only in its original packaging.
- Comply with the transport conditions of the transport company.
- Follow the instructions on the safety data sheets.



#### Damage/improper use

If the battery is damaged or user incorrectly vapours and liquids may escape from it. If you come into contact with battery fluid wash immediate with water and seek medical assistance if necessary.

### Disposal

- Do not dispose of batteries with normal waste.
- Comply with local regulations when disposing of batteries.

### Mechanical details for batteries with blade terminals

#### Battery leads

- Quantity: 1 red and 1 black
- Length: 1,300 mm
- Wire type: 0.5 mm<sup>2</sup> solid conductor
- Insulation temperature rating: 90 °C

#### Battery end termination

Push on 4.8 mm receptacle to suit battery soade fitted with insulating cover

#### Module end termination

8.0 mm stripped insulation

Two-piece batteries are supplied with a 200 mm lead with 4.8 mm receptacles at each end and insulating covers to connect the separate sticks together. Connect two battery sticks in series by connecting plus to minus.

### Batteries

Connection method: 4.8x0.5 mm spade tag welded to end of cell.

For stick packs this connection is accessible after the battery caps have been fitted.

To inhibit inverter operation disconnect the batteries by removing the connector from the battery spade tag.

### Mechanical details for batteries with plug terminals

#### Battery leads

- Quantity: 1 red and 1 black with plug terminals
- Length: 1 m
- Battery connection: 0.1 m with connector
- Wire type: 0.5 mm<sup>2</sup> solid conductor
- Insulation temperature rating: 90 °C

#### Battery end termination

Plug terminals

#### Module end termination

8.0 mm stripped insulation

### Batteries

Connection method: 2-pole plug connection

To inhibit inverter operation disconnect the batteries by removing the connector from the battery spade tag.

### Additional information

Additional technical information at [www.tridonic.com](http://www.tridonic.com) → Technical Data

Guarantee conditions at [www.tridonic.com](http://www.tridonic.com) → Services

No warranty if battery was opened.