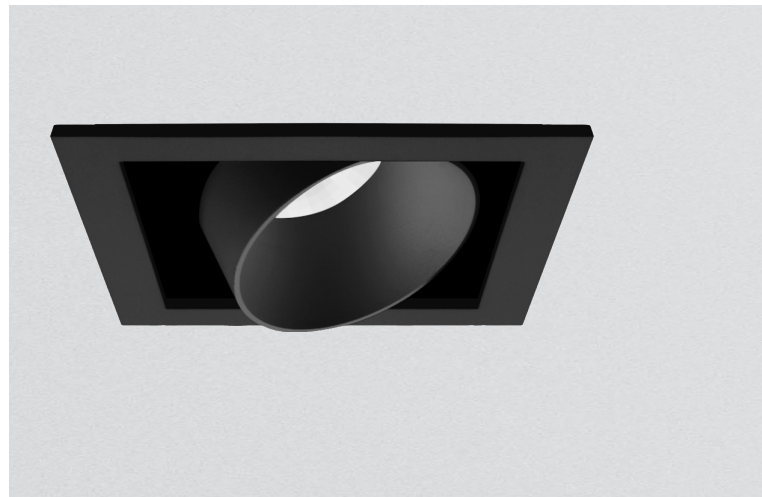


# RINGO BOX 1

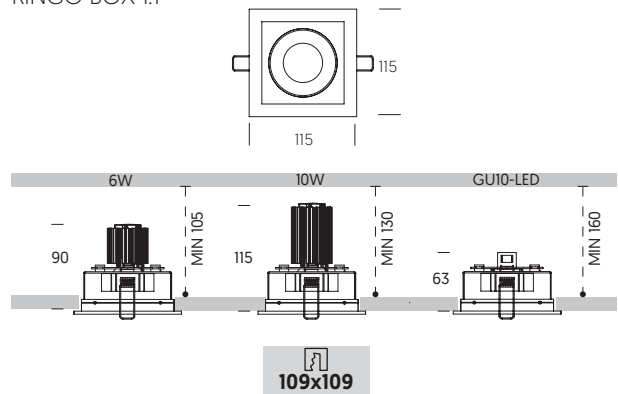
CARDANS



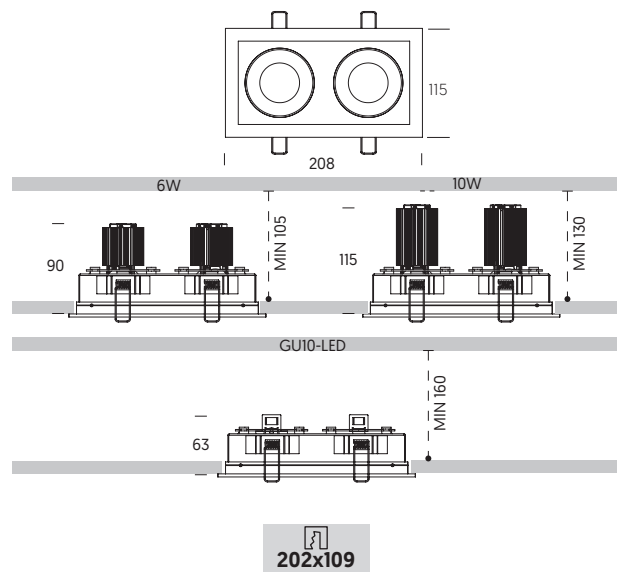
	W	mA	TEMP	LUM	CRI
6W	6,2	350	2.700K	570	>90
			3.000K	595	
			4.000K	635	
10W	10,4	300	2.700K	1.005	>95
			3.000K	1.070	
			4.000K	1.135	

## TEC.DRAWINGS

RINGO BOX 1.1



RINGO BOX 1.2





GU 10	LED	□	230V	50°	350°									
Ringo 1.1						Max. 10W	<b>RB11</b>	<b>E</b>	<b>10</b>	<b>X</b>	<b>X</b>	<b>X</b>	<b>X</b>	<b>WS</b>
							<b>RB11</b>	<b>E</b>	<b>10</b>	<b>X</b>	<b>X</b>	<b>X</b>	<b>X</b>	<b>BS</b>
Ringo 1.2						Max. 2x10W	<b>RB12</b>	<b>E</b>	<b>10</b>	<b>X</b>	<b>X</b>	<b>X</b>	<b>X</b>	<b>WS</b>
							<b>RB12</b>	<b>E</b>	<b>10</b>	<b>X</b>	<b>X</b>	<b>X</b>	<b>X</b>	<b>BS</b>

LED	□	230V	IP23 EXT	50°	350°	50.000h L90/B10	McAdam C2						
Ringo 1.1		≈ 6W	> 600lm	<b>RB11</b>	<b>A</b>	<b>06</b>	• •	<b>4</b>	•	•	•	•	•
		≈ 10W	> 1000lm	<b>RB11</b>	<b>A</b>	<b>10</b>	• •	<b>4</b>	•	•	•	•	•
Ringo 1.2		≈ 12W	> 2x600lm	<b>RB12</b>	<b>A</b>	<b>06</b>	• •	<b>4</b>	•	•	•	•	•
		≈ 20W	> 2x1000lm	<b>RB12</b>	<b>A</b>	<b>10</b>	• •	<b>4</b>	•	•	•	•	•

## BASIC OPTIONS

<b>NO DIM</b>	<b>N</b>	No Dimmable											
<b>3K</b>	<b>3</b>	3000K											
<b>4</b>	<b>4</b>	40°											
<b>B</b>	<b>B</b>	Clear Difusser											
<b>WS</b>	<b>WS</b>	Satin White/Black	<b>RB11</b>	<b>A</b>	••	<b>N</b>	<b>3</b>	<b>4</b>	<b>B</b>	<b>WS</b>			
			<b>RB12</b>	<b>A</b>	••	<b>N</b>	<b>3</b>	<b>4</b>	<b>B</b>	<b>WS</b>			
<b>BS</b>	<b>BS</b>	Satin Black	<b>RB11</b>	<b>A</b>	••	<b>N</b>	<b>3</b>	<b>4</b>	<b>B</b>	<b>BS</b>			
			<b>RB12</b>	<b>A</b>	••	<b>N</b>	<b>3</b>	<b>4</b>	<b>B</b>	<b>BS</b>			

## CUSTOMIZE OPTIONS

### LED CONTROL

<b>PUSH</b>	<b>F</b>	Dimmable Push	<b>RB1</b>	<b>A</b>	••	<b>F</b>	•	•	•	•	•	•	•
<b>DALI</b>	<b>D</b>	Dimmable Dali	<b>RB1</b>	<b>A</b>	••	<b>D</b>	•	•	•	•	•	•	•

### LED COLOR TEMPERATURE

<b>2.7K</b>	<b>2</b>	2700K	<b>RB1</b>	<b>A</b>	••	•	<b>2</b>	•	•	•	•	•	•
<b>4K</b>	<b>4</b>	4000K	<b>RB1</b>	<b>A</b>	••	•	<b>4</b>	•	•	•	•	•	•

### LED BEAM ANGLE

<b>1</b>	<b>1</b>	16°	<b>RB1</b>	<b>A</b>	•	•	•	•	<b>1</b>	•	•	•	•
<b>2</b>	<b>2</b>	24°	<b>RB1</b>	<b>A</b>	•	•	•	•	<b>2</b>	•	•	•	•

### LED COMPLEMENTS

<b>A</b>	<b>A</b>	Ice Difusser	<b>RB1</b>	<b>A</b>	••	•	•	•	•	<b>A</b>	•	•	•
----------	----------	--------------	------------	----------	----	---	---	---	---	----------	---	---	---